



## WOMEN SAFETY DEVICE DESIGNED USING IOT

<sup>1</sup>BOMMALLA ESHWAR <sup>2</sup>Mr.Md ASIM IQBAL

<sup>1</sup> Mtech Student, Department of Electronics and Communication Engineering, Kakatiya University College of Engineering and technology Warangal -506009, (TS).

Email:- [eshwar.12500@gmail.com](mailto:eshwar.12500@gmail.com)

<sup>2</sup>Assistant Professor, Department of Electronics and Communication Engineering ,Kakatiya university Warangal -506009, (TS).

Email:- [mdasimiqbal605@gmail.com](mailto:mdasimiqbal605@gmail.com)

### ABSTRACT

Today withinside the proceeding with worldwide circumstance, the brilliant request in every more young woman's mind, taking into account the usually creating augmentation of issues on young ladies baiting in late past, is very tons her appropriately being and security. The plausible idea torturing every more young woman is the issue at which they will be arranged to move uninhibitedly on the streets even in typical hours without worrying about their security. This paper prescribes a newperspective to use development to safeguard young ladies. The structure appears to be a customary belt which even as started, tracks the area of the setback using IOT with (Global Positioning System), GSM (Global System for Mobilecommunication), to calamity contacts and the police control room. The system in like manner coordinates a yelling alert The main advantage of this structure is that the buyer require a Smartphone numerous to extraordinary bundles that have been made earlier. The use of delicate variables ensures accuracy and makes it reliable.

**KEYWORDS:** NODE MCU,WOMAN SAFTY,FIREBASE

### 1.INTRODUCTION

Women are the spine of any monetary framework as a general rule molding predetermination of the country. She who ahead of time remained at homegrown to stand by her home commitments is presently keeping compositions and homegrown all the while, teaming up withinside the arrangement of money related enhancement for an equivalent balance with men. The Government of India, gathering a longstanding call for orientation equality

withinside the labor force, has allowed a change in The Factories Act 1948 to allow young ladies faculty to works of art in nightshifts. The adjustment shows that nightshift for young ladies will be permitted best assuming that the business undertaking ensures security, sufficient shields withinside the assembling unit as respects word related security and wellbeing, same opportunities for young ladies representatives, adequate security in their



nobility, honor and transportation from the assembling unit premises to the nearest consider their home are met. Nightshifts were in ways of life for a significant time frame, yet for India it turned out to be best as of now through an alteration to the Factories Act 1948 that it became permitted beneathneath the guideline for young ladies to works of art nightshifts. Ladies are working together in virtually each of the circles of money related movement. From town to city, we will see assortment of young ladies representatives and advertisers offering nearer to the countrywide benefits of the country. Piece of clothing devices as of now recruit 60% of young ladies labor force; and with increment on this venture the assortment this could cross up colossally. Up to this point, the IT region have been involving young ladies for late-evening works of art hours anyway brought no crime obligation to the table for the above security measures. There isn't anyt any denying the truth that young ladies in India have made an enormous improvement in almost seven numerous long stretches of Independence, but they by the by need to fighting contrary to many impairments and social disasters withinside the male-controlled society. Numerous detestable and manly powers by the by be victorious withinside the state of the art Indian culture that opposes the ahead walk of its young ladies people. With the beginning of IT&BT undertaking, young ladies artistic creations in evening time shifts. It is the commitment of the organization to offer working environment transportation to such staff. Presently a days

regardless of the way that the gatherings offer the communities for transportation, but the security of the young ladies isn't generally totally guaranteed as one of the occurrence passed off withinside the yr 2007 at Pune in which a lady working withinside the name place turned out to be fiercely assaulted through method of method for of her taxi drivers doled out through method of method for the organization, presently as of now not best this we've experience the different equivalent episodes withinside the most recent occasions wherein the security of the young ladies In today's world, young ladies insurance has end up being an essential issue as they can't step out in their home at some random time in view of physical/sexual maltreatment and a concern of savagery. Indeed, even withinside the twenty first 100 years wherein the age is hurriedly creating and new gadgets have been progressed anyway in any case girls's and ladies are going through issues.

Indeed, even these days in India, women can't flow at evening time in detached areas or even at day time swarmed areas burdens and many occurrences of physical/sexual maltreatment happens to every day women on this u . s .. Among various violations, assault is the fastest creating wrongdoing withinside the u . s . these days. In this paper we've completed women security contraption on IOT time through android period with GSM and GPS MODULE, Be that as it may, women in India keep up with to stand social requesting circumstances and are consistently victims of misuse and savage wrongdoings and, in



accordance with a global polling form performed through Thomson Reuters, India is the "fourth greatest hazardous u . s ." withinside the worldwide for women, and the most horrendously terrible u . s . for women a large portion of the G20 nations.

This paper has some expertise in a security device this is planned totally to serve the rationale of offering security to women all together that they not the slightest bit experience defenseless simultaneously as managing such friendly requesting circumstances. The contraption incorporates different modules alongside GSM safeguard , AT89S52, GPS ,shouting caution a fixed of pressure sensors for initiation and energy convey unit.

## **2.LITERATURE SURVEY**

Orlando pereira, et al (2010) demonstrates the idea of the use of edge sensors with the guide of involving the utilization of Network cell deals with serious consequences regarding biofeedback observing. The SHIMMER firmware and bluetooth firmware has been applied on this compositions. The limits of this works of art is bluetooth must be normally connected with telecellsmartphone, it can't be utilized assuming telecellsmartphone is lost[1]. MirjamJutila, et al(2014) demonstrates the fresh out of the plastic new thought of a wearable sensor vest for youngsters. Wellbeing vest Design, Gateway Implementation, Sensor net elements has been applied on this artistic creations. The limits of this compositions is the apparatus utilized could be exceptionally huge in size, it can't be conveyed to areas all can go [2].

Samuel Tanga (2016) demonstrates the possibility of sensors in his works of art" Development Of Prototype Smart Home Intelligent Lighting Control Architecture Using Sensors Onboard A Mobile Computing System" . "Luminaire made do with the guide of utilizing the Arduino microcontroller" has been applied. The limits of this thought is wifi or net is needed to artworks the utility[3].

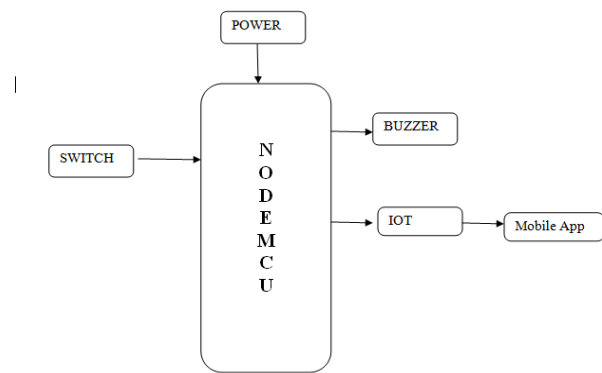
With the need of saving the young lady from intolerable violations like attack some of assurance bundles had been progressed. Some of such bundles give the responses to barbarities of women the use of cell buttons simultaneously as a couple of bundles are planned withinside the state of equipment gadgets with sensors and microcontrollers and so forth. Many designs use innovation like SOS (Save our spirits) message, GSM (Global System for Mobile) and Wi-Fi (Wireless Fidelity) networks for message correspondences. We looked into a couple of going before deals with serious consequences regarding women insurance which can be characterized further. Ashiq &Manivelprabhu, 2013[8] have planned the electrical shock recieving wire watch with in-fabricated microcontroller that close by passing amazement to the charged sends the SMS (Short Message Service) to the pre named contacts and police headquarters withinside the close to region. It is cost green ordinary watch which could help the women in possibility circumstances. V. Pawar& Wankhede, 2014[9] have progressed an android utility "SCIWARS" that could send the literary substance

message or voice recording to the particular contacts carried with the guide of involving the individual simultaneously as enrollment in this utility. This utility deals with excellent modules close by the power that whether the victim wants to really look at in the complaint to police or not. Additionally, the utility tracks the region of the victim with the help of GPS. Ravina et al., 2014[10] has planned an android utility for sharp phones principally founded absolutely on voice notoriety and boat fast text based content messages to enlisted contacts. The important abilities of this utility are transformation of discourse to printed content and working even the cell telecellsmartphone is locked. Nadaf et al., 2014 [11] has progressed an Android utility called "B'Safe and B'Secure" for women's wellbeing. Assuming that the individual is in a difficult situation, the realities is added to the put away contacts close by the victim's region with the help of SOS procedure. This unprecedented capability of this utility is that it truly works withinside the shortfall of net association. Roy et al., 2015[12] has progressed an instrument with the help of inescapable processing perceived as "MoveFree" that has been planned the utilization of gadget dominating strategy essentially founded absolutely on managed dominating that choose the victim with the changed upsides of casing factors. For a hit execution of the utility communities like bluetooth, net availability is required. In unfortunate circumstances, an alarm message might be despatched to a couple of physically saved cell numbers. Chand,

Dhruv et al., 2016 [13] accurately developed a cell utility "WoSAPP" for young lady security with simple individual point of interaction. The individual of this utility can provoke this utility with the guide of utilizing shaking the cell which sends the alarm message to nearby police headquarters which in flip tell the individual's engraved contacts. The Mangalore Police Station in Karnataka, India devoted a hotline to the crisis calls using "WoSapp".

### 3..METHODOLOGY

The proposed gadget is to format a movable instrument which looks like a regular watch. It incorporates NODEMCU ,switch,, shouting caution piezo. On the off chance that the button is squeezed Immediately sign will transport to the collector a piece of the gadget the spot of the casualty can be followed the help of GPS and crisis messages can be despatched to 3 contacts and one to police control room every mins with modern spot. The shouting alert unit can be initiated and could transport out alarms to name out for assist.after which trigerring messages can even enacted and continually transport messages.



#### 4. TECHNOLOGIES IOT:

The Internet of Things (IoT) is a gadget of interrelated registering gadgets, mechanical and virtual machines, items, creatures or individuals which may be outfitted with specific identifiers (UIDs) and the cappable to switch insights over a local area with out expecting human-to-human or human-to-pc connection.

#### FIREBASE:

Firestore's most memorable item turned into the Firestore Real-time Database, an API that synchronizes programming measurements all through iOS, Android, and Web gadgets, and shops it on Firestore's cloud. The item helps programming program developers in building constant, cooperative applications.

#### NODEMCU:

NodeMCU is a low-expense open inventory IoT stage. It at first covered firmware which runs on the ESP8266 Wi-Fi SoC from Espressif Systems, and equipment which changed into principally based absolutely at the ESP-12 module. Afterward, help for the ESP32 32-cycle MCU changed into added.



#### 5. CONCLUSION

The proposed format will adapt to significant difficulties went up against through women withinside the near past and could help to cure them with innovatively sound supplies and thoughts. This machine can overcome the concern that frightens every woman withinside the country about her assurance and security.

#### 6. REFERENCES

- [1] Moser, c. and c. mcilwaine (2006), "Latin American urban Violence as a development concern: towards a framework for Violence reduction", World Development, Vol. 34, no. 1, pp.89-112.
- [2] Hill, r., J. temin and L. Pacholek (2007), "Building Security where there is no Security", Journal of Peacebuilding and Development, Vol. 3, no. 2, p. 38-51.
- [3] Muggah, r. and k. krause (2009), "closing the gap Between Peace operations and Post-conflict insecurity: towards a Violence reduction agenda", International Peacekeeping, Vol. 16, no. 1, p.136-150.
- [4] Rathmell, a. (2009), "Security and Justice development – what next?", Journal of Security Sector Management, Vol. 7, p no. 2.
- [5] Charlotte Bunch and Roxanna Carillo, "Global Violence against Women: The Challenge to Human Rights and Development" in Michael Klare and Yogesh Chandrani (eds.), World Security:



# International Journal For Advanced Research In Science & Technology

A peer reviewed international journal

[www.ijarst.in](http://www.ijarst.in)

**IJARST**

ISSN: 2457-0362

Challenges for a New Century, third edition  
(New York: St. Martin's Press, 1998), p.  
230.

[6] Beth Woroniuk, "Women's  
Empowerment in the context of Human  
Security", Bangkok, Thailand, December 7-  
8, 1999.

[7] Reardon, op. cit., "Feminist Concepts of  
Peace and Security," p. 139.

[8] Susan McKay, "Gender Justice and  
Reconciliation," Women's Studies  
International Forum, vol.23, no. 5